

100MHz-3.5GHz Low Noise Amplifier



Product Overview

AT-LNA-0003-2801X is high gain low noise amplifier with 28dB gain with NF=1dB in the frequency of 100MHz-3.5GHz. The DC power requirement is +5V/100mA. The module is with SMA connector.

AT Microwave can provide all kinds of coaxial low noise amplifiers, with frequency from 0.01-67GHz, gain from 20 to 60dB, Pout from +5 to +27dBm, and connectors from SMA to 1.85mm.

More information, visit www.atmicrowave.com

Advantages

- ✓ Frequency: 100MHz-3.5GHz
- ✓ Small signal gain: 28dB
- ✓ NF=1dB
- ✓ Single Power Supply

Application

- ✓ 5G Communication
- ✓ Test Equipment
- ✓ ROF (RF Over Fiber)
- ✓ Radar System

Key Features

Parameter	Min	Typical	Max
Frequency		100MHz-3.5GHz	
Gain	28dB	30 dB	
Gain Flatness		+/-1dB	+/-2dB
NF		1dB	1.5dB
P1dB		+18dBm	
Drain Supply		+5V	+8V
Current		100 mA	
Input Return Loss		-10dB	
Output Return Loss		-10dB	
Spec Temp		25C	





AT-LNA-0003-2801X

100MHz-3.5GHz Low Noise Amplifier

Mechanical Information

Item	Description
Input Port	SMA Female
Output Port	SMA Female
Case Material	Copper
Finish	Gold Plated
Weight	50g
Size:	See outline, Download for stp file

Absolute Maximum Ratings Table

Parameter	Value
Drain Supply	+13V
RF Input Power	+15 dBm
Operating Temperature	-20 to + 70C
Storage Temperature	-65 to +150C

Notes:

1. Datasheet may be changed according to update of MMIC, Raw materials , process, and so on.
2. This data is only for reference, not for guaranteed specifications.
3. Please contact AT Microwave team to make sure you have the most current data.



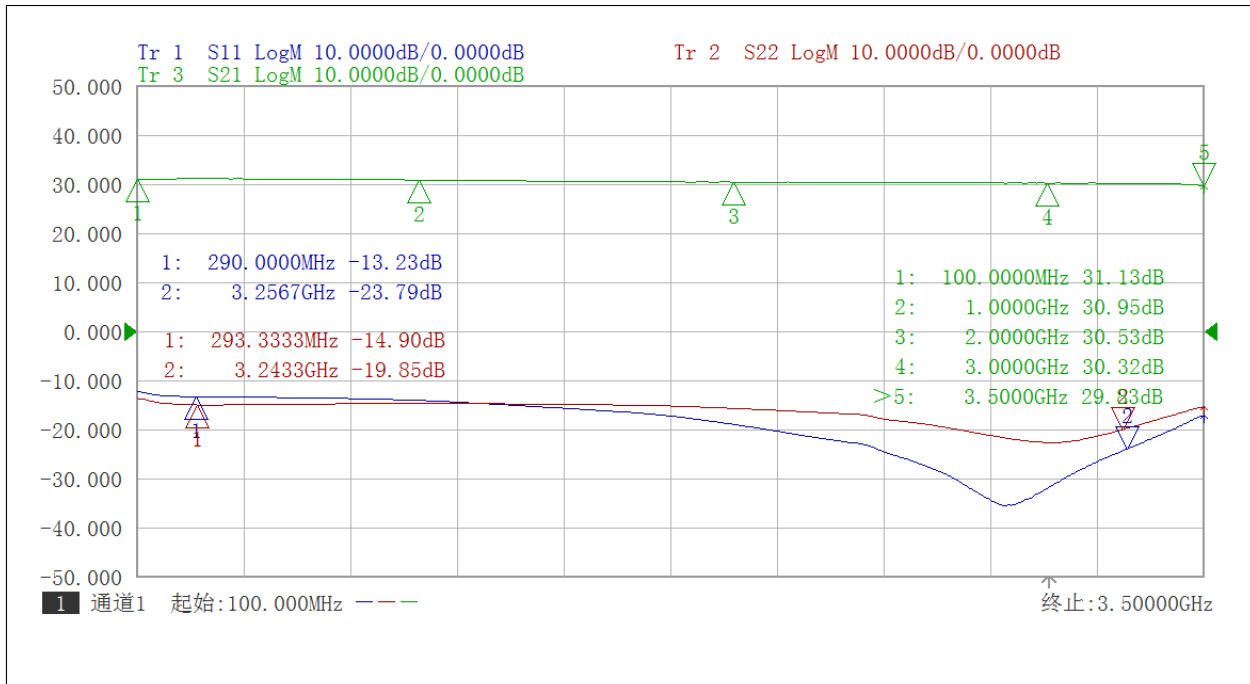


AT-LNA-0003-2801X

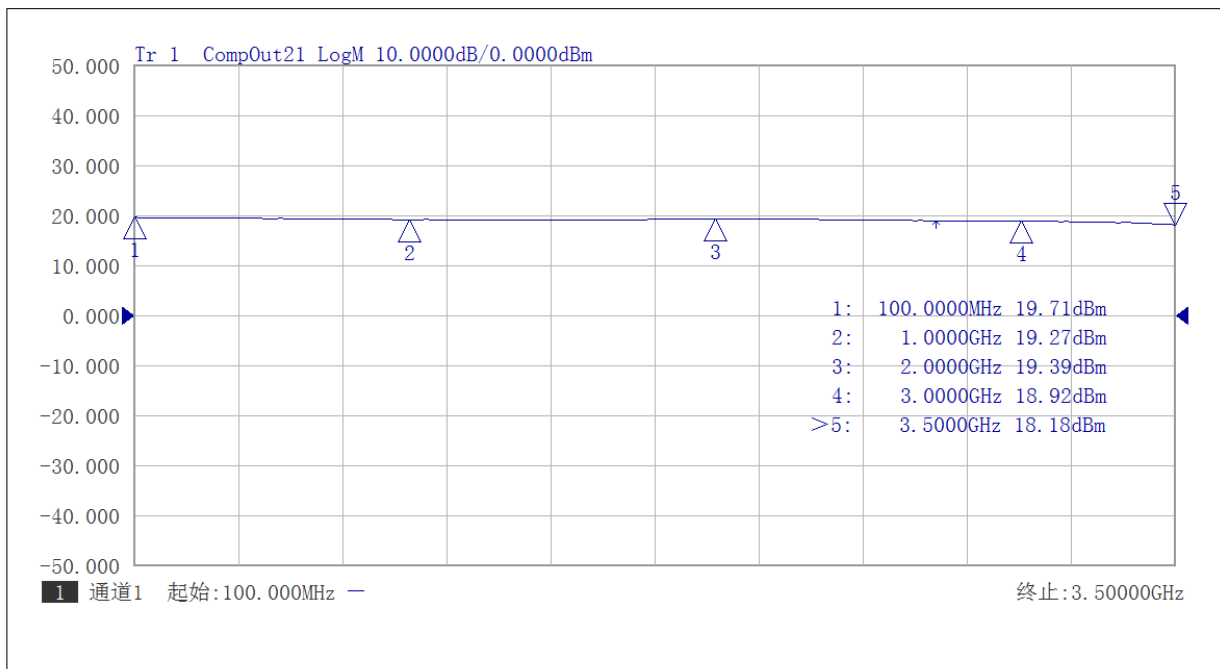
100MHz-3.5GHz Low Noise Amplifier

Test Data (25C)

Please note that test curves will vary slightly from unit to unit.

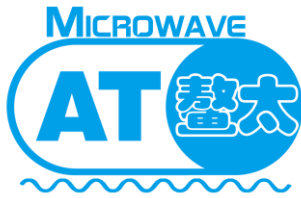


Gain and Return Loss vs Frequency



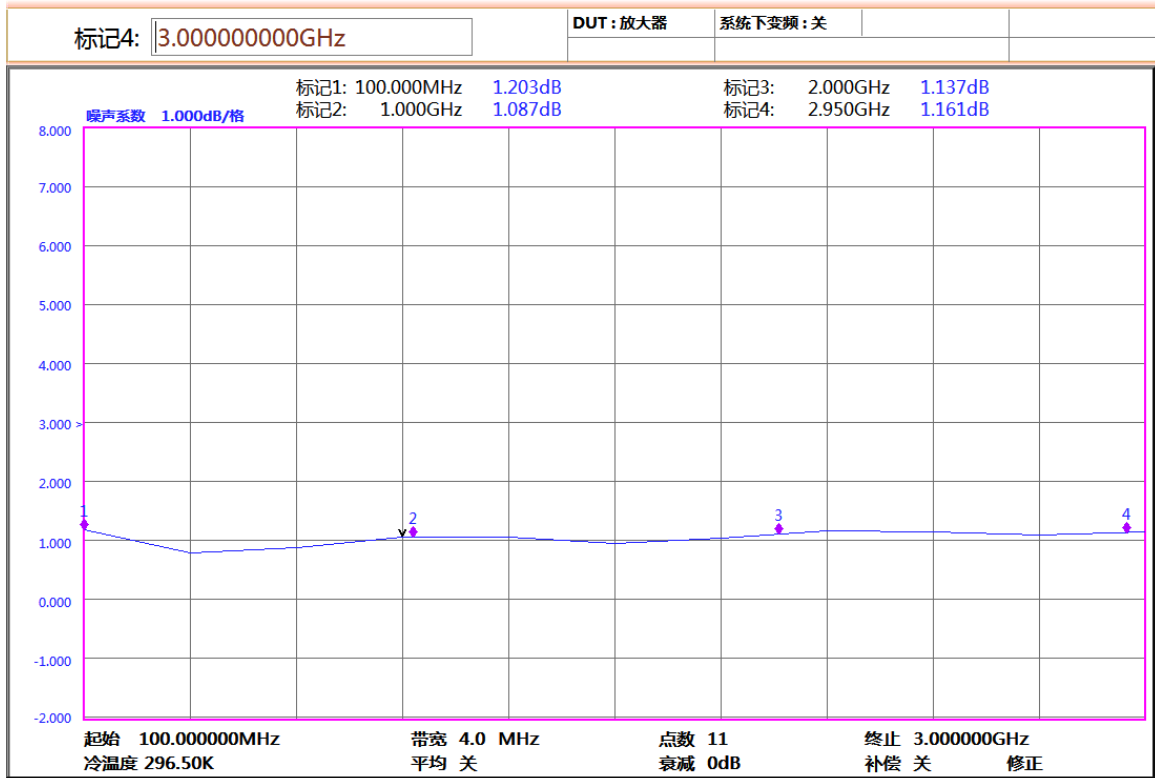
P1 vs Frequency



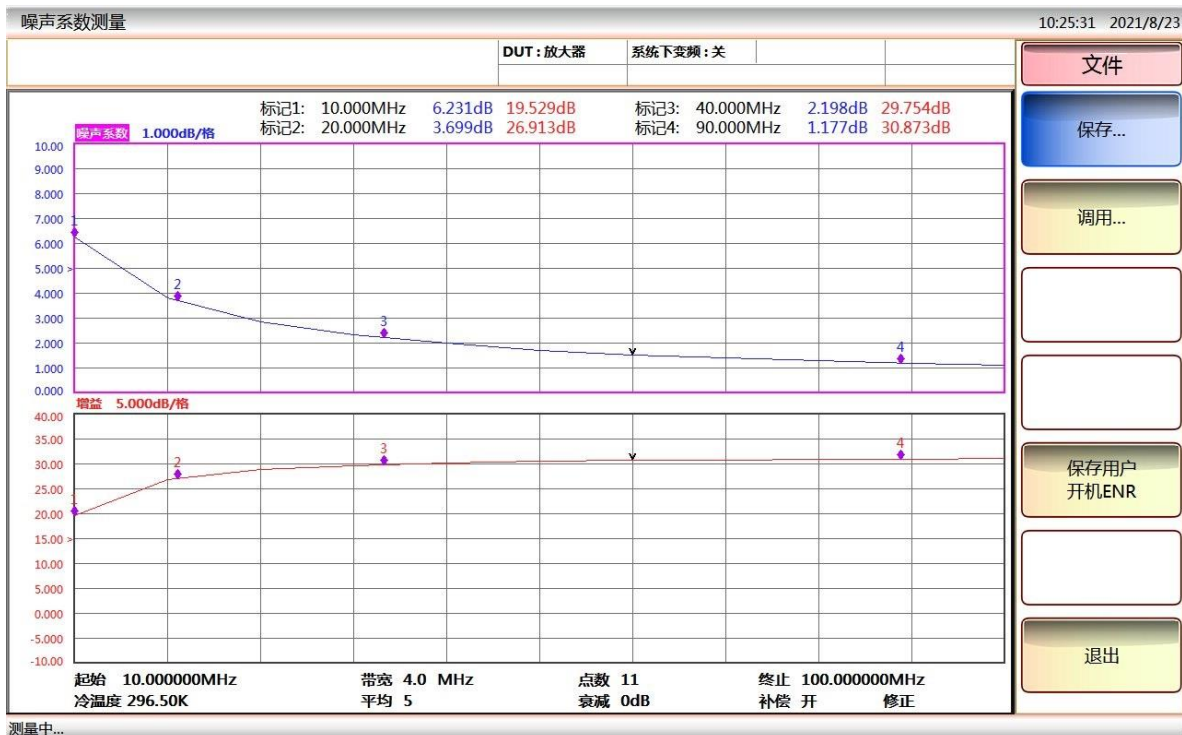


AT-LNA-0003-2801X

100MHz-3.5GHz Low Noise Amplifier



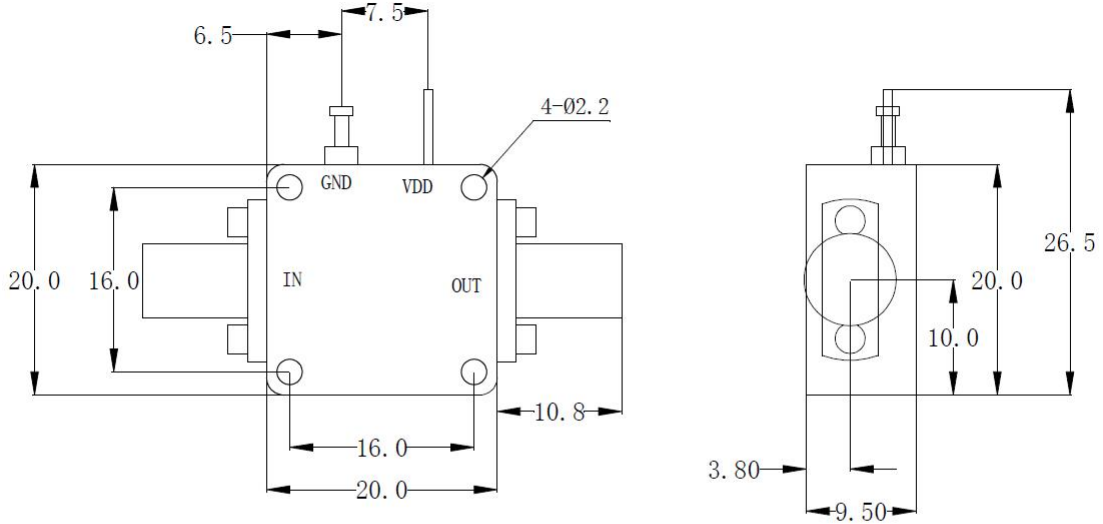
NF vs Frequency 0.1-3GHz



10MHz-100MHz low frequency gain and NF Test



Dimension: (unit in mm)



	<26.5GHz	<40GHz	<50GHz	<67GHz
Connector	SMA	2.92mm	2.4mm	1.85mm
Lenth of a	9.4mm	9.5mm	10.8mm	11.3mm

Note: Female Default. Contact with us for other types.

Heatsink required is case temp over 50C

